

HEG SERIES HEAVY DUTY ELECTRIC GRIDDLES



- HEG24R** 24" w x 18" d griddle plate
- HEG36S** 36" w x 18" d griddle plate
- HEG36D** 36" w x 24" d griddle plate
- HEG48D** 48" w x 24" d griddle plate
- HEG60D** 60" w x 24" d griddle plate
- HEG72D** 72" w x 24" d griddle plate

STANDARD FEATURES

- Stainless steel front, sides and 4" adjustable legs.
- 1/2" thick polished steel griddle plate.
- One solid sheathed tubular incoloy heating element, thermostat and cycling light per each 12" griddle width. Thermostat adjusts from 200° to 450°F.
- Stainless steel splash shield is 4" high at the back and tapers down to 2" at the front.
- 3/8" wide grease trough empties into large capacity grease drawer. 72" wide model has two grease drawers. "R" model has a front and rear grease trough. "S" & "D" models have a front grease trough.
- Requires 208/240 volt, 60 Hz, 1 or 3 phase power supply.
- One year limited parts and labor warranty.

OPTIONS

- Stainless steel stand with undershelf and casters, two locking.
- 480 volt, 60 Hz, 3 phase.



SPECIFICATIONS:

Heavy duty electric griddle, Vulcan-Hart Model No. _____.
 Stainless steel front, sides and 4" adjustable legs. _____" w x _____" d x 1/2" thick polished steel griddle plate. One solid sheathed tubular incoloy heating element, thermostat and cycling light per each 12" griddle width. Thermostat adjusts from 200° to 450°F. Stainless steel splash shield is 4" high at the back and tapers down to 2" in the front. 3/8" wide grease trough empties into large capacity grease drawer. Requires 208 or 240 volt, 60 Hz, 1 or 3 phase power supply.

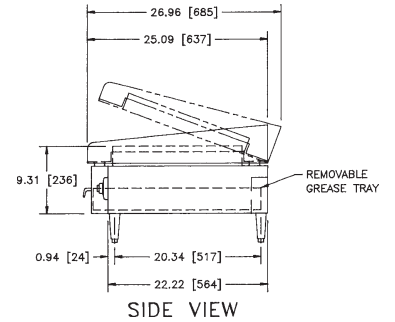
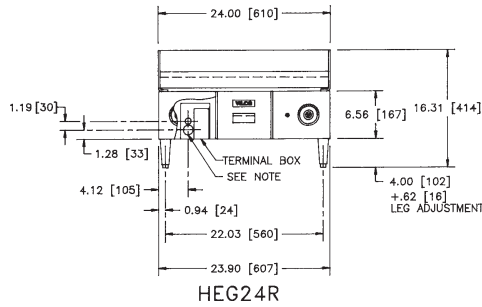
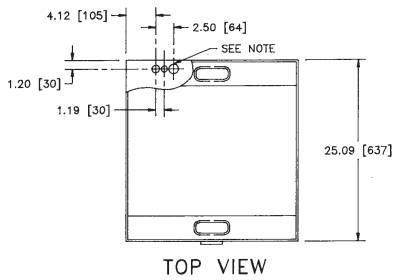
NSF listed. U L listed. U L listed to Canadian safety standards.

SPECIFY VOLTAGE AND PHASE WHEN ORDERING.

ELECTRICAL CHARACTERISTICS

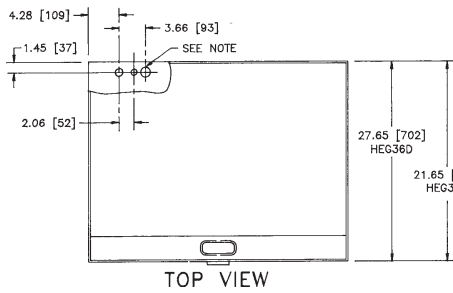
STANDARD VOLTAGES—208 VOLTS OR 240 VOLTS 60 Hz.—SINGLE OR THREE PHASE OPTIONAL VOLTAGE—480 VOLTS 60 Hz.—THREE PHASE ONLY																
MODEL NO.	TOTAL CONN. KW	TOTAL KW PER CONN.*	3 PHASE LOADING KW PER PHASE PER CONN.*			NOMINAL AMPS PER LINE WIRE PER CONN.*										
						3 PHASE									1 PHASE	
			208 VOLT			240 VOLT			480 VOLT			208	240			
			X	Y	Z	X	Y	Z	X	Y	Z	VOLT	VOLT			
HEG24R	8.0	8.0	4.0	0.0	4.0	38.5	19.3	19.3	28.9	16.7	16.7	14.4	8.3	8.3	38.5	33.3
HEG36S	12.0	12.0	4.0	4.0	4.0	33.3	33.3	33.3	28.9	28.9	28.9	14.4	14.4	14.4	57.7	50.0
HEG36D	16.2	16.2	5.4	5.4	5.4	45.0	45.0	45.0	39.0	39.0	39.0	19.5	19.5	19.5	77.9	67.5
HEG48D	21.6	21.6	10.8	5.4	5.4	68.7	68.7	45.2	59.5	59.5	39.0	29.8	29.8	19.5	103.9	90.0
HEG60D*	27	16.2	5.4	5.4	5.4	45.0	45.0	45.0	39.0	39.0	39.0	19.5	19.5	19.5	77.9	67.5
		10.8	5.4	0	5.4	45.0	26.0	26.0	39.0	22.5	22.5	19.5	11.3	11.3	51.9	45.0
HEG72D*	32.4	16.2	5.4	5.4	5.4	45.0	45.0	45.0	39.0	39.0	39.0	19.5	19.5	19.5	77.9	67.5
		16.2	5.4	5.4	5.4	45.0	45.0	45.0	39.0	39.0	39.0	19.5	19.5	19.5	77.9	67.5

*Model **HEG60D** & **HEG72D** require two separate electrical connections and services.

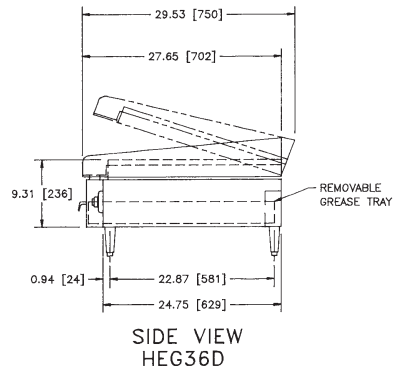
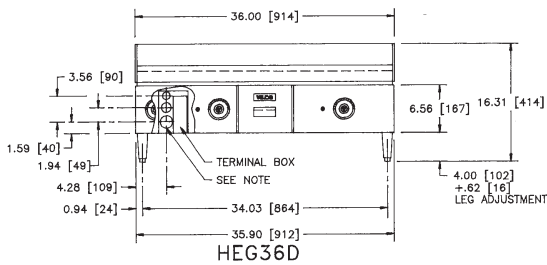


NOTE:
1.09 [28], .86 [22] & 1.38 [35] ϕ KNOCKOUTS
IN BACK AND BOTTOM FOR CONDUIT ENTRANCE

HEG24R



NOTE:
1.09 [28], 1.38 [35] & 1.75 [44] ϕ KNOCKOUTS
IN BACK AND BOTTOM FOR CONDUIT ENTRANCE



HEG36D

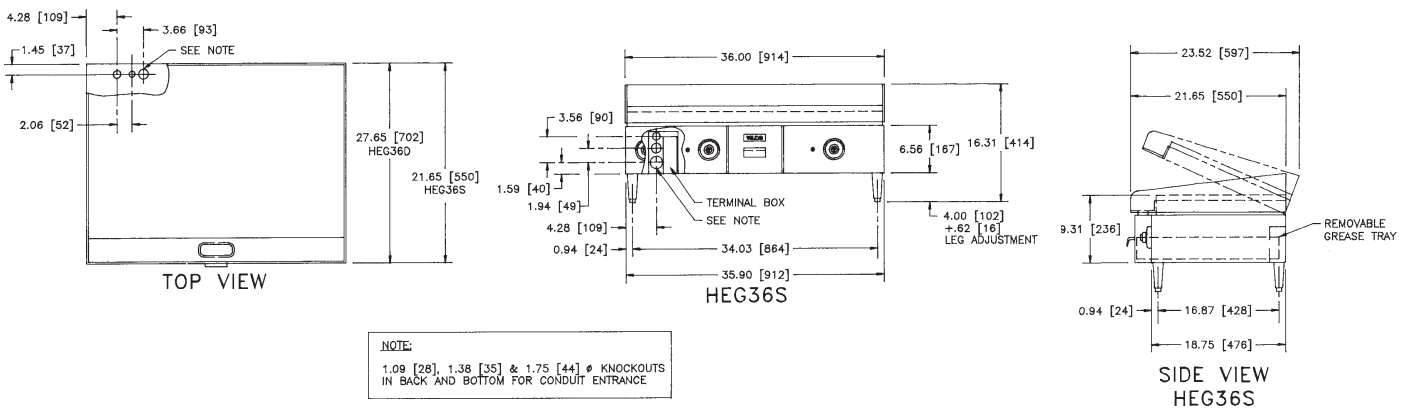
DATA CHART

Model No.	Overall Dimensions			Griddle Surface Dimensions		Grease Trough Location	Grease Drawer Capacity (Gals.)	Hamburger Capacity Per Load 3½" (89 mm)	Pancake Capacity Per Load 4" (102 mm)
	Width	Depth	Height	Width	Depth				
HEG24R	24" (610)	25 ⁵ / ₃₂ " (639)	16 ⁵ / ₁₆ " (414)	24" (610)	18" (457)	Front & Rear	1.4	30	20
HEG36S	36" (914)	21 ⁵ / ₈ " (549)	16 ⁵ / ₁₆ " (414)	36" (914)	18" (457)	Front	1.2	50	32
HEG36D	36" (914)	27 ⁵ / ₈ " (702)	16 ⁵ / ₁₆ " (404)	36" (914)	24" (610)	Front	1.5	60	40
HEG48D	48" (1219)	27 ⁵ / ₈ " (702)	16 ⁵ / ₁₆ " (414)	48" (1219)	24" (610)	Front	1.5	78	55
HEG60D	60" (1524)	27 ⁵ / ₈ " (702)	16 ⁵ / ₁₆ " (422)	60" (1524)	24" (610)	Front	1.5	102	70
HEG72D	72" (1821)	27 ⁵ / ₈ " (702)	16 ⁵ / ₁₆ " (422)	72" (1821)	24" (610)	Front	2 x 1.5	120	85

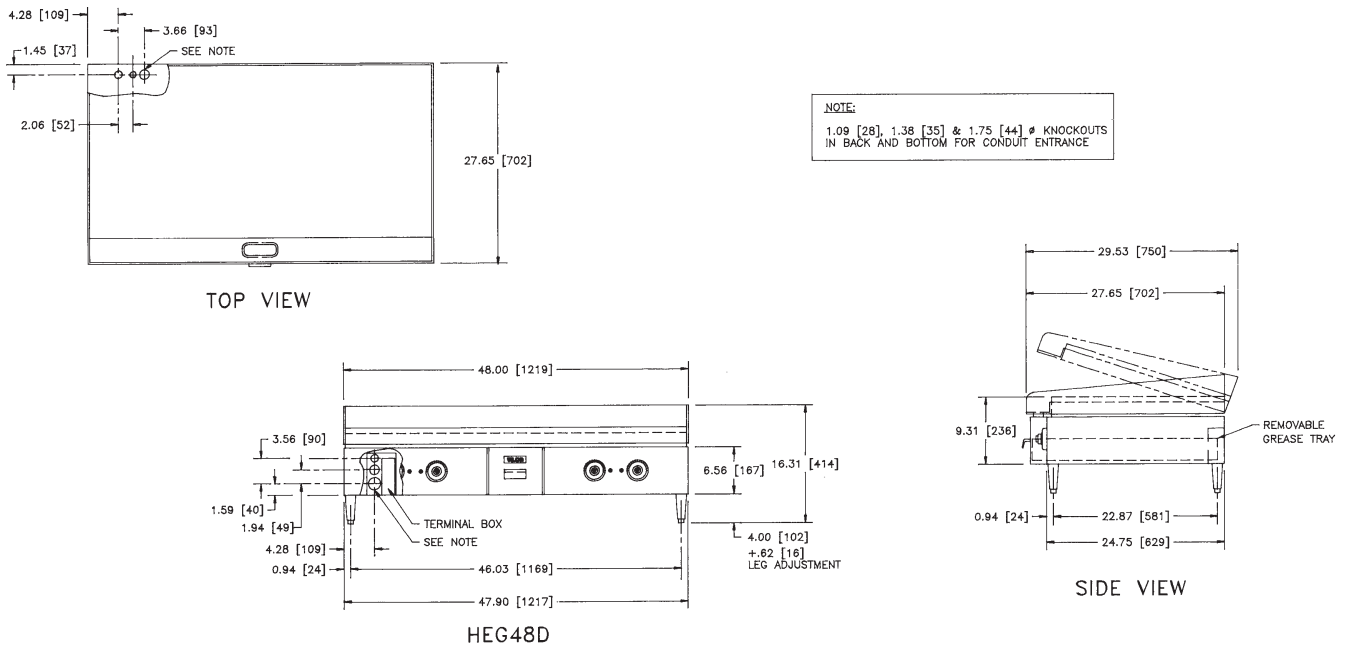
(Dimensions in parenthesis are in millimeters.)

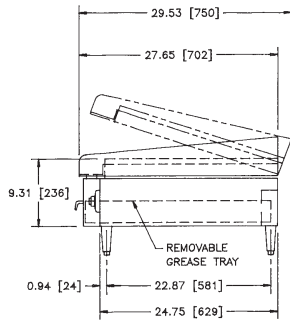
Installation clearances: Sides and rear must be 1" (25 mm) from the nearest combustible construction (**HEG24R** can have 0" rear clearance).

HEG36S

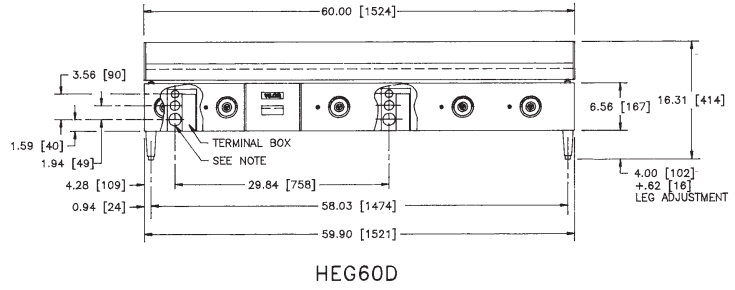


HEG48D



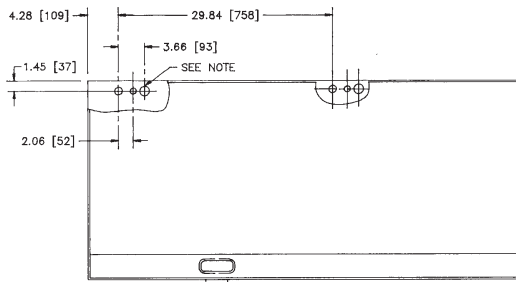


SIDE VIEW



HEG60D

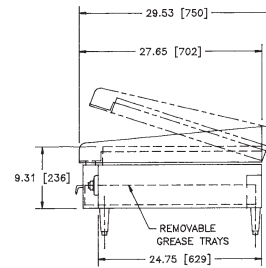
NOTE:
1.09 [28], 1.38 [35] & 1.75 [44] ϕ KNOCKOUTS
IN BACK AND BOTTOM FOR CONDUIT ENTRANCE



TOP VIEW

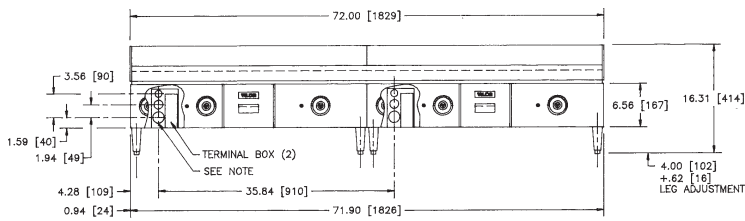
HEG60D

HEG72D

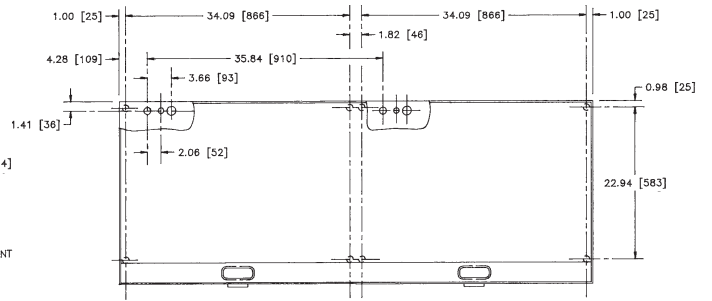


SIDE VIEW

NOTE:
1.09 [28], 1.38 [35] & 1.75 [44] ϕ KNOCKOUTS
IN BACK AND BOTTOM FOR CONDUIT ENTRANCE



HEG72D



TOP VIEW

NOTE: In line with its policy to continually improve its products, Vulcan-Hart Company reserves the right to change materials and specifications without notice.