

# Champion<sup>®</sup>

The Dishwashing Machine Specialists

Project \_\_\_\_\_

Item No. \_\_\_\_\_

Quantity \_\_\_\_\_

## STANDARD FEATURES

- ENERGY STAR<sup>®</sup> Qualified
- Automatic tank fill
- Detergent/chemical connection provisions
- Door safety switches
- Automatic electric drain valve
- Electric tank heat
- Interchangeable upper and lower spray arms
- Low-water tank heat protection
- Pump motor, drip-proof 1 Hp
- Stainless steel pump impeller
- Stainless steel front and side panels
- Top-mounted, splash-proof control console
- Single point electrical connection (see chart)
- Balanced door lift system
- Built-in 40°F/22°C rise stainless steel electric booster (DHB only)
- Vent fan control

## D-HB/D-H1

Door-type High Temperature  
Dishwashing Machine



## OPTIONS & ACCESSORIES

- Sheet pan rack**
- Electric:** 70°F/39°C rise (built-in) (DHB only)
- Steam coil** tank heat
- Steam injector** tank heat (DHB only)
- Steam:** 40°F/22°C - 70°F/39°C rise (built-in) (DHB only)
- Corner** operation

## SPECIFIER STATEMENT

Specified unit will be Champion model D-HB/D-H1 high temperature dishwashing machine with built-in, stainless steel booster heater (DH1 without booster).

Features top mounted control cabinet, balanced door-lift with door safety switch, 40°F/22°C rise, built-in SST booster (DHB only), interchangeable stainless steel wash and rinse arms, 55 racks/hr., .86 US gals/rack, single point electrical connection. Constructed of Type 304 SST.

1 year parts and labor warranty.

2674 N. Service Road,  
Jordan Station, Ontario, Canada L0R 1S0  
Tel: 800/263-5798 Fax: 905/562-4618

Champion Industries, Inc.  
P. O. Box 4149, Winston-Salem, NC 27115  
Tel: 800/532-8591 Fax: 336/661-1979  
[www.championindustries.com](http://www.championindustries.com)

# D-HB/DH1

Door-type High Temperature Dishwashing Machine

# Champion<sup>®</sup>

The Dishwashing Machine Specialists

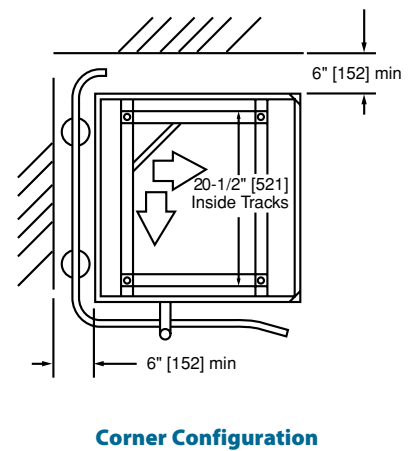
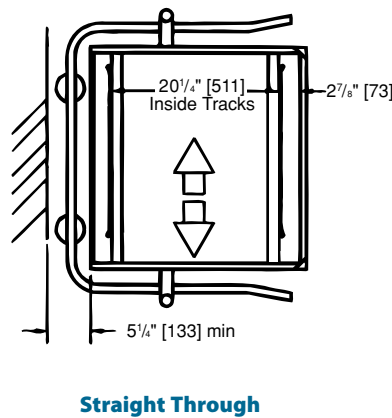
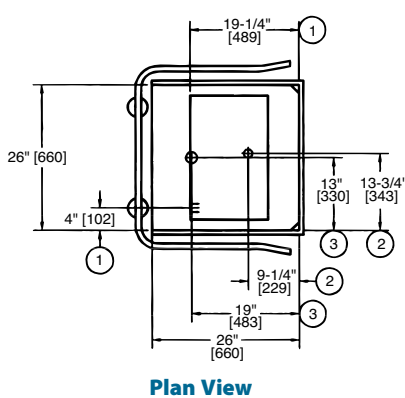
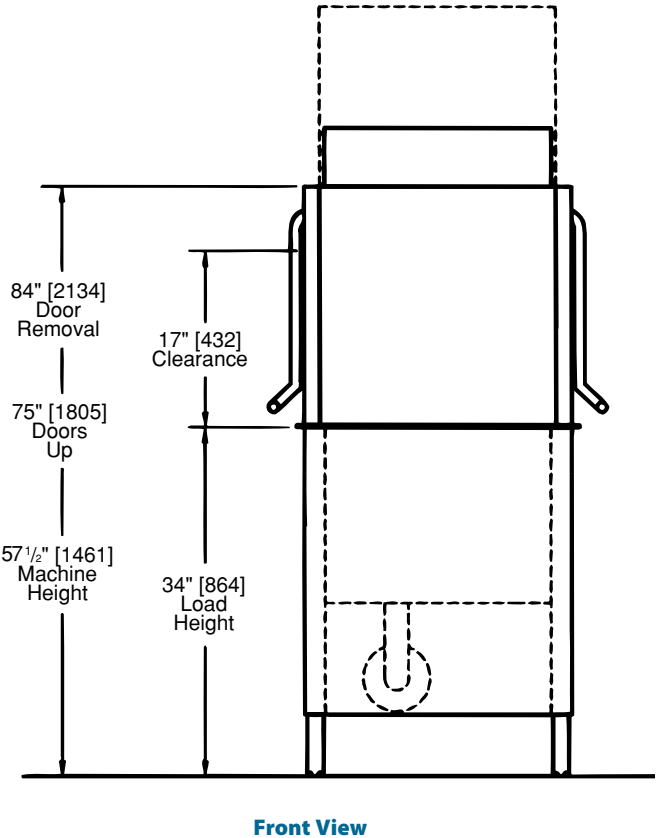
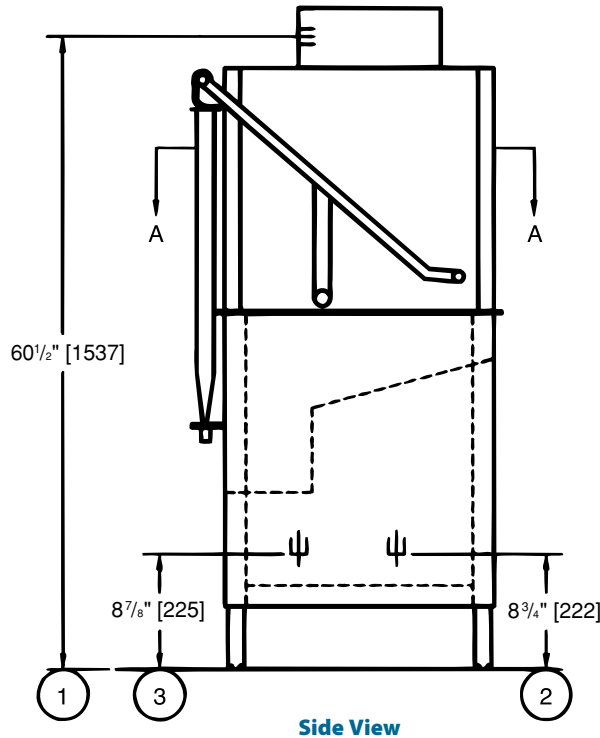
Dimensions shown in inches and [millimeters]

Length between table connections: **26"/660mm**

Volume crated: **46 cu.ft.**

Shipping weight crated: **350 lbs./158kg**

## Details, Dimensions & Connections



Due to an ongoing value analysis program at Champion, specifications contained in this catalog are subject to change without notice.

Champion Industries, Inc., P. O. Box 4149, Winston-Salem, NC 27115 • 800/532-8591 • Fax: 336/661-1979 • www.championindustries.com  
2674 N. Service Road, Jordan Station, Ontario, Canada L0R 1S0 • 800/263-5798 • Fax: 905/562-4618

# D-HB/DH1

Door-type High Temperature Dishwashing Machine

# Champion®

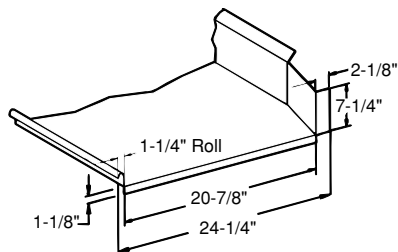
The Dishwashing Machine Specialists

## Utilities

<b>1 Electrical (See Box)</b>
<b>2 Hot Water (DHB)</b> 3/4" NPT hot water 140°F/60°C min for 40°F/22°C rise booster. 3/4" NPT hot water 110°F/43°C min for 70°F/39°C rise booster. Flow pressure 20-22 psi. (138-151kPa)
<b>Hot Water (DH1)</b> 3/4" NPT 180°F/82°C hot water connection. Flow pressure 20-22 ps, (138-151 kPa)
<b>3 Drain</b> 2" O.D. connection. Max. flow rate 15 US gpm. (12imp.gpm/54/pm)

For Electrical Heat <b>D-HB</b> w/40°F/22°C Rise Booster			
Elec. Specs.	Rated Amps	Minimum Supply Ckt. Conductor Ampacity	Maximum Overcurrent Protective Device
208/60/1	71	80	80
240/60/1	79	90	90
208/60/3	40	50	50
240/60/3	45	50	50
480/60/3	20	25	25
575/60/3	16	20	20

For Electrical Heat <b>D-HB</b> w/70°F/39°C Rise Booster			
Elec. Specs.	Rated Amps	Minimum Supply Ckt. Conductor Ampacity	Maximum Overcurrent Protective Device
208/60/3	57	60	60
240/60/3	64	70	70
480/60/3	29	35	35
575/60/3	25	30	30



Typical Table Construction

## SPECIFICATIONS

### Capacity

Racks per hr. (NSF rated)	55
Wash tank US gal. (imp. gal./liters)	9 (7.5/3.4)

### Motor horsepower

1

### Water consumption

Gal. per hr. (max. use) US gal. (imp. gal./liters)	49 (41/186)
Gal. per rack (US gal. (imp. gal./liters))	.86 (0.74/3.4)

### Temperatures °F/°C

Wash	150/66
Rinse	180/82

### Heating

Tank heat, electric, (kW)	4.7
Tank heat, steam (lbs.per hr. required at 15 psi flow pressure)	25

### DHB only

Electric booster (kW required for 40°F/22°C rise)	9
Electric booster (kW required for 70°F/39°C rise)	13
Steam booster (internally mounted) (lbs. per hr. required for 40°F/22°C rise)	50
Steam booster (internally mounted) (lbs.per hr. required for 70°F/39°C rise)	65

### Time cycle in seconds

Wash	40
Rinse	8
Dwell	12
Total cycle	60

For Electric Heat <b>D-H1</b> Electrical Power Requirements			
Elec. Specs.	Rated Amps	Minimum Supply Ckt. Conductor Ampacity	Maximum Overcurrent Protective Device
115/60/1*	48	60	60
208/60/1	35	40	40
240/60/1	37	40	45
208/60/3	20	25	25
240/60/3	21	25	25
480/60/3	9	15	15
575/60/3	7	15	15

\*3kW wash tank heat

**Warning:** Plumbing and electrical connection should be made by qualified personnel who will observe all the applicable plumbing, sanitary and safety codes and the National Electrical Code.

**Plumbing Note:** Because of the variation in house-supplied water and steam pressure, pressure regulating valves (PRV's) for incoming water and steam supply are needed. The PRV's can be purchased from Champion or obtained locally.

**Note:** Water Hammer Arrestor (meeting ASSE-1010 standard or equivalent) to be supplied (by others) in common water supply line at service connection.

Due to an ongoing value analysis program at Champion, specifications contained in this catalog are subject to change without notice.

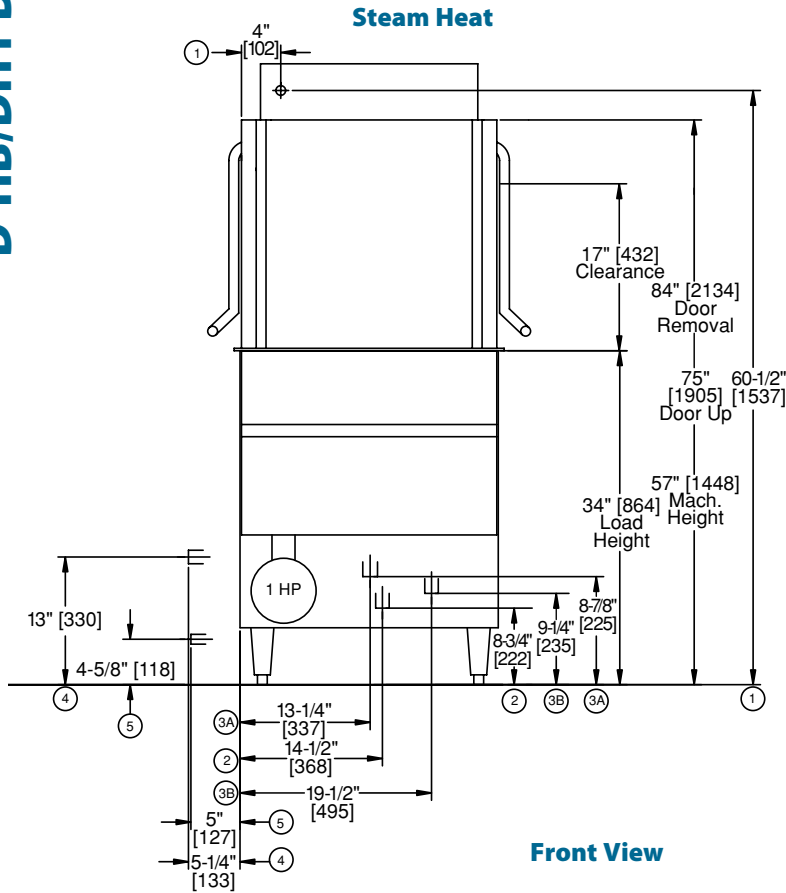
Champion Industries, Inc., P. O. Box 4149, Winston-Salem, NC 27115 • 800/532-8591 • Fax: 336/661-1979 • www.championindustries.com  
2674 N. Service Road, Jordan Station, Ontario, Canada L0R 1S0 • 800/263-5798 • Fax: 905/562-4618

# D-HB/DH1

Door-type High Temperature Dishwashing Machine

# Champion®

The Dishwashing Machine Specialists

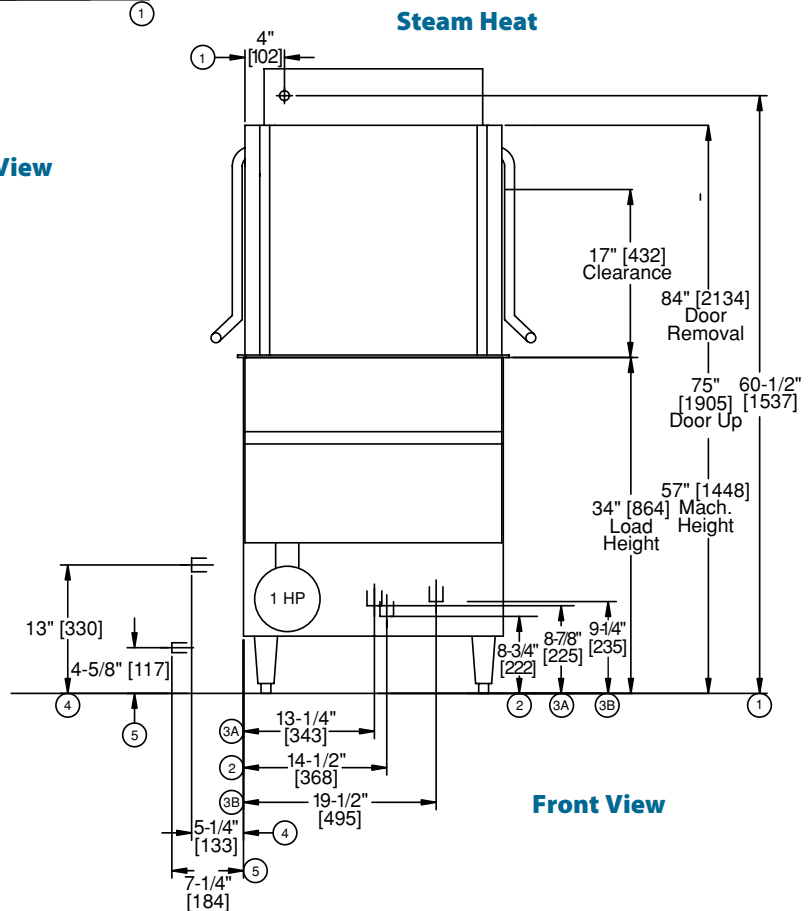


**Front View**

Utilities	
<b>1 Electrical</b>	(See box)
<b>2 Hot Water</b>	3/4" NPT 110°F/43°C - 140°F/60°C hot water connection. Flow pressure 20-22 psi. (138-151 kPa)
<b>3 Drain</b>	<b>A.</b> 2" O.D. machine connection (15 US gpm) <b>B.</b> 3/4" NPT booster relief to open drain
<b>4 Steam</b>	3/4" NPT machine connection. Flow pressure 15-30 psi.
<b>5 Condensate</b>	3/4" NPT machine return to boiler <b>A.</b> Steam Injector <b>B.</b> Steam Coil

For Steam Heat D-HB w/40°F/33°C or 70°F/39°C Rise Booster			
Elec. Specs.	Rated Amps	Minimum Supply Ckt. Conductor Ampacity	Maximum Overcurrent Protective Device
208/60/1	13	15	15
240/60/1	12	15	15
208/60/3	6	15	15
240/60/3	6	15	15
480/60/3	3	15	15
575/60/3	3	15	15

For Steam Heat D-H1 Electrical Power Requirements			
Elec. Specs.	Rated Amps	Minimum Supply Ckt. Conductor Ampacity	Maximum Overcurrent Protective Device
115/60/1	22	30	30
208/60/1	12	15	15
240/60/1	11	15	15
208/60/3	6	15	15
240/60/3	6	15	15
480/60/3	3	15	15
575/60/3	3	15	15



**Front View**

Due to an ongoing value analysis program at Champion, specifications contained in this catalog are subject to change without notice.

Champion Industries, Inc., P. O. Box 4149, Winston-Salem, NC 27115 • 800/532-8591 • Fax: 336/661-1979 • www.championindustries.com  
2674 N. Service Road, Jordan Station, Ontario, Canada L0R 1S0 • 800/263-5798 • Fax: 905/562-4618