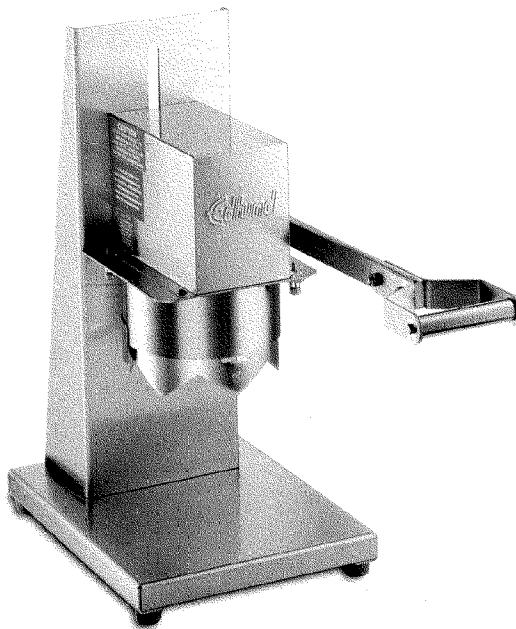




Crown Punch Can Openers

If your foodservice operation opens more than 100 cans per day, Edlund's Crown Punch Series will give you the most cost-efficient, effortless service available. These sophisticated models are designed to open cans in a single stroke. Whether you choose the air-powered or manual lever-operated model, we're sure you'll agree it's yet another crowning achievement by Edlund.



Model 700SS

All stainless steel construction including inner mechanism. Recommended usage: up to 200 cans/day. One step operation - opens cans in a single stroke.

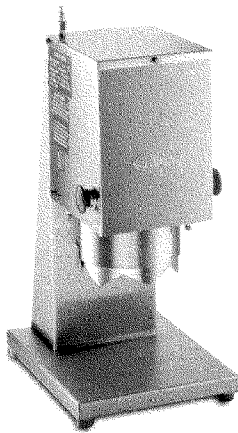


Model 610

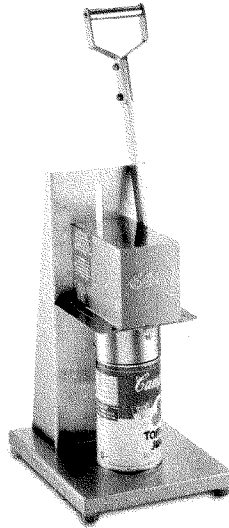
Completely air operated - requires no electricity. Recommended usage: 250-400 cans/day.

Caution: Do not sharpen Crown Punch blades. Edges are intentionally dull to prevent metal slivers. Reconditioning is available through factory.

The Perfect One-Two Punch For All Your Opening Needs.



Air-powered Model 610 will last years and years with minimal maintenance.



Our highest volume manual opener, the Model 700 Crown Punch blade will open thousands of cans before requiring reconditioning or replacement parts. The entire unit is stainless steel and can be completely washed down.



Both models can easily be changed to accommodate different can sizes in minutes without the use of tools.

SPECIFICATIONS:

- Hardened stainless steel blade
- Blades remove easily for cleaning
- #610 is 21" high; 53.3 cm high
- #700 is 20" high (30 1/2" when arm is up); 50.8 cm high (77.5 cm when arm is up)
- Model 610 air pressure: 85-120 P.S.I.; 5.95 - 8.44 kg/cm
- Model 610 air consumption: constant 1-2 CFM; 28.3 cm - 56.6 liter/m
- Openers are adjustable for can height, 2"-10 1/2"; 5.1 cm - 26.6 cm
- Standard unit's maximum can size: 10 1/2" tall, 6 1/2" diameter; 26.6 cm tall, 16.6 cm diameter

- Optional manual model 700T available for taller can sizes or international applications
- USDA approved
- Both models can be washed down

SHIPPING WEIGHT:

Model 700SS	41 lbs.	18.6 kg
Model 610	51 lbs.	24.8 kg

VOLUME:

Model 700SS	2.71 cubic feet (ft ³)	0.08 cubic meters (m ³)
Model 610	2.13 cubic feet (ft ³)	0.06 cubic meters (m ³)

STANDARD TOOLING

Note: Custom tooling available. Please contact factory.

Can Size	Diameter (inches)	Diameter (millimeters)
603 (#10)	6 3/16"	157 mm
600	6"	152.4 mm
502	5 1/8"	130 mm
404	4 1/4"	108 mm
401	4 1/16"	103.2 mm
400	4"	101.6 mm
307	3 7/16"	87.3 mm
303	3 3/16"	81 mm
300	3"	76.2 mm
214	2 7/8"	73 mm
211	2 11/16"	68.3 mm
202	2 1/4"	60 mm



Products for Foodservice

Edlund Company, Inc., 159 Industrial Parkway, Burlington, VT 05401 802-862-9661 www.edlundco.com

WARRANTY INFORMATION: THE EDLUND COMPANY WARRANTS THESE PRODUCTS TO BE FREE FROM DEFECTS IN MATERIAL AND WORKMANSHIP FOR A PERIOD OF ONE YEAR FROM DATE OF PURCHASE. THE COMPANY'S OBLIGATION UNDER THIS WARRANTY IS LIMITED TO REPAIRING OR REPLACING WITHOUT CHARGE ANY PART OR PARTS FOUND TO BE DEFECTIVE UNDER NORMAL USE. IT IS THE RESPONSIBILITY OF THE PURCHASER TO RETURN THE ENTIRE UNIT TO THE FACTORY. TRANSPORTATION CHARGES PREPAID. NO OTHER WARRANTY, WRITTEN OR VERBAL, IS AUTHORIZED BY THE COMPANY. WARRANTY INFORMATION OUTSIDE THE UNITED STATES MAY VARY. CONSULT YOUR DISTRIBUTOR.

4-99 ED01-280