

Foodservice Equipment • Material Handling, Healthcare & Cleanroom Equipment • Retail Display

414 Series Sinks

Deep-Drawn Covered Corner Three-Compartment



three-compartment sink
with double drainboards
(faucet not included)



**FEATURING
NEW
2"-WIDE
EURO-STYLE
EDGING**

Item #: _____
Model #: _____
Project #: _____
SIS #: _____

Optional Accessories	Model #	Qty.
Stainless steel legs		
Stainless steel bullet feet		
Lever drain		
Twist handle drain		
Twist drain brackets		
Faucets		
Sink covers		
Waste outlets		
Sink kits		
Overflow hole		

- New 20" x 16" (508 x 406mm) bowl design, with enhanced polishing techniques.
- 13½" (343mm) water level is standard.
- Heavy gauge stainless steel construction — bowls are type 304; drainboards and backsplash are type 430.
- Deep-drawn seamless covered corner bowls.
- Swirl-away drainage.
- Leg gusset assemblies welded adjacent to sink bowl for maximum weight support and stability.
- 9¼" (248mm) standard backsplash includes 1" (25mm) upturn and tile edge for easy installation and feathering to wall/splash surface.
- Adjustable non-corrosive bullet feet.
- "V" creased drainboards for positive drainage.

Sink Kits for 414 Series Sinks

All kits include stainless steel crossbraced legs, stainless steel gussets, stainless steel feet, and T&S faucet #313293 as listed below.

description	add suffix
Kit A Includes crossbraced legs, gussets, feet, and T&S faucet	-CLF
Kit B Includes crossbraced legs, gussets, feet, T&S faucet, and lever drain	-CLFD
Kit C Includes crossbraced legs, gussets, feet, T&S faucet, and lever drain w/overflow	-CLFDO
Kit D Includes crossbraced legs, gussets, feet, T&S faucet, and twist handle drain	-CLFDT
Kit E Includes crossbraced legs, gussets, feet, T&S faucet, and twist handle drain w/overflow	-CLFDOT

Spec sheets available for viewing, printing or downloading from our online literature library at www.eaglegrp.com

414 Series Covered Corner Three-Compartment Sinks

Design and Construction Features

- All bowls have deep-drawn one-piece seamless construction using state-of-the-art hydraulic presses.
- All sink bowls have a generous radius with a minimum dimension of 3" (76mm) and are rectangular for maximum capacity.
- 13½" (343mm) water level; 16½" (419mm) flood level.
- Entire assembly is fuse-welded and planished providing a one-piece seamless sink unit.
- Drainboards, when provided, are integrally welded.
- 9¼" (248mm)-high full length standard backsplash features 1" (25mm) upturn and tile edge for easy installation and feathering to wall/splash surface.
- Welded areas are blended to match adjacent surfaces with continuity of satin finish.
- Leg gussets welded to a die-cut heavy-gauge reinforcing plate.
- Leg gusset assemblies are welded adjacent to sink bowl, providing increased stability and maximum weight support where needed.

NSF-approved installations:

All EAGLE sinks bearing the NSF Certification Mark are built in compliance with the National Sanitation Foundation Standard Number 2.

EAGLE is also listed to manufacture custom-built sinks in compliance with the National Sanitation Foundation Standard Number 2.

Material:

Sink Bowl – Heavy gauge type 304 stainless steel.

Top – Drainboards, backsplash and euro-style edging are heavy gauge type 430 stainless steel.

Legs – 1½" (41mm)-diameter heavy-gauge galvanized tubing with plated 12-gauge gussets and high-impact corrosion resistant fully adjustable bullet feet – crossbracing is 1" (25mm)-diameter heavy-gauge galvanized tubing.

Optional stainless steel legs utilize heavy-gauge tubing.

Mechanical:

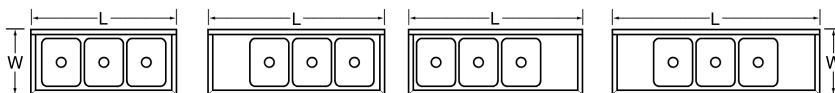
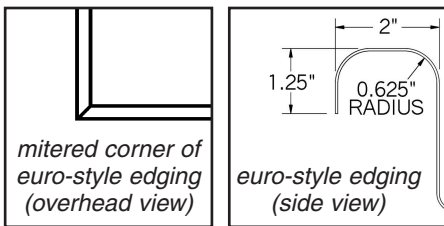
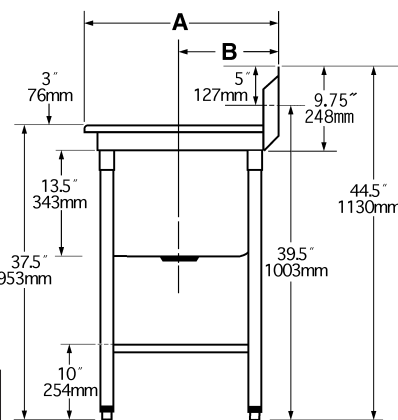
- Water supply is ½" (13mm) IPS for hot and cold lines.
- Faucet holes are 1½" (29mm) punched on 8" (203mm) centers; two sets of faucet holes are punched where indicated on schedule.
- Faucets are available as options.
- Basket-type waste drains included fits sink bowls' 3½" (89mm) opening and feature 1½" (38mm) outlet.

Overall widths

bowl size		Dimension A	
in.	mm	in.	mm
20" x 16"	508 x 406	27½"	699
24" x 18"	610 x 457	31¾"	807
24" x 24"	610 x 610	31¾"	807

Drain locations for rough-in

bowl size		Dimension B	
in.	mm	in.	mm
20" x 16"	508 x 406	14"	357
24" x 18"	610 x 457	16"	406
24" x 24"	610 x 610	16"	406



bowl size width x length	# of drbds	drbd length		weight		overall size width x length		model #
		in.	mm	lbs.	kg	in.	mm	
20" x 16" (508 x 406mm)	0	n/a		85	38.6	27½" x 58¾"	699 x 1492	414-16-3
	1	18"	457	104	47.2	27½" x 74¾"	699 x 1889	414-16-3-18 R or L
	2	18"	457	123	55.8	27½" x 90"	699 x 2286	414-16-3-18
	1	24"	610	110	49.9	27½" x 80¾"	699 x 2042	414-16-3-24 R or L
	2	24"	610	135	61.2	27½" x 102"	699 x 2591	414-16-3-24
24" x 18"* (610 x 457mm)	0	n/a		114	51.7	31¾" x 65½"	807 x 1664	414-18-3
	1	18"	457	133	60.3	31¾" x 80¾"	807 x 2051	414-18-3-18 R or L
	2	18"	457	152	68.9	31¾" x 96"	807 x 2438	414-18-3-18
	1	24"	610	139	63.1	31¾" x 86¾"	807 x 2203	414-18-3-24 R or L
	2	24"	610	164	74.4	31¾" x 108"	807 x 2743	414-18-3-24
24" x 24"* (610 x 610mm)	0	n/a		125	56.7	31¾" x 83½"	807 x 2121	414-24-3
	1	18"	610	144	65.3	31¾" x 98¾"	807 x 2508	414-24-3-18 R or L
	2	18"	610	163	73.9	31¾" x 114"	807 x 2896	414-24-3-18
	1	24"	610	150	68.0	31¾" x 104¾"	807 x 2661	414-24-3-24 R or L
	2	24"	610	175	79.5	31¾" x 126"	807 x 3200	414-24-3-24

* Units with these bowl sizes feature two sets of faucet holes.